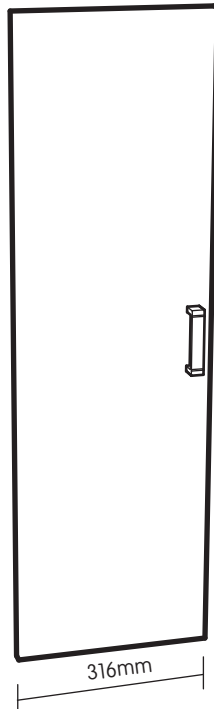
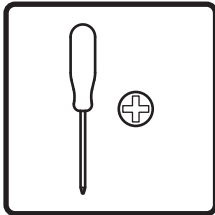
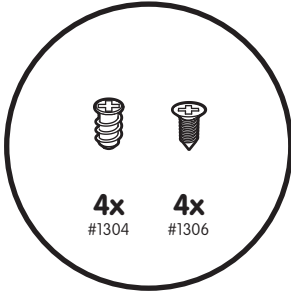
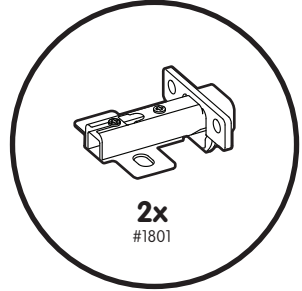
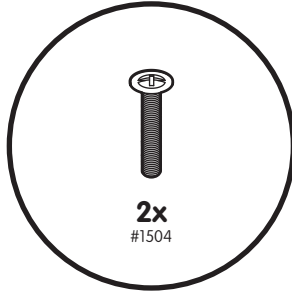
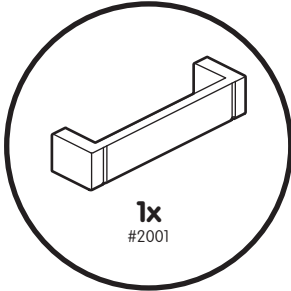


# BA4-M/W

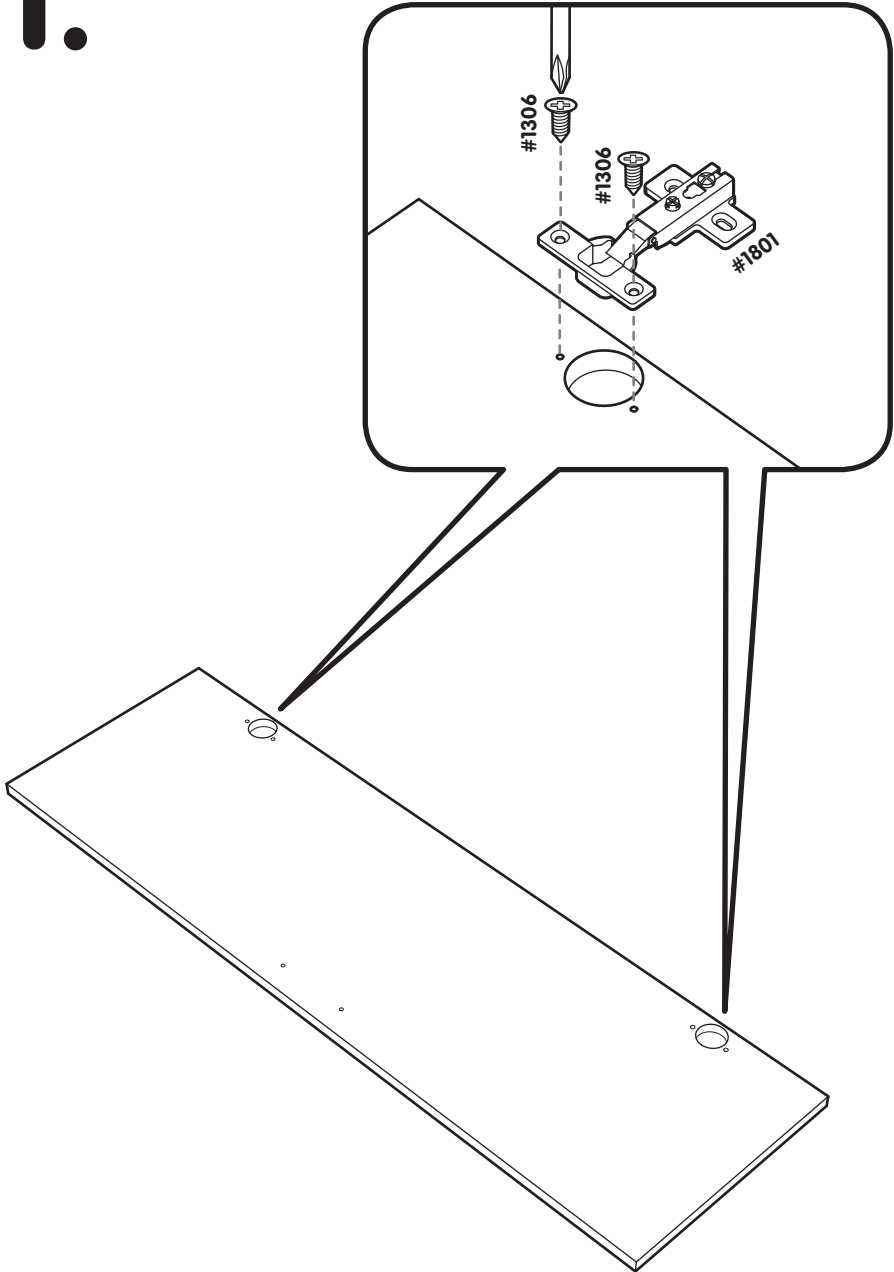
## Base Accessory Door



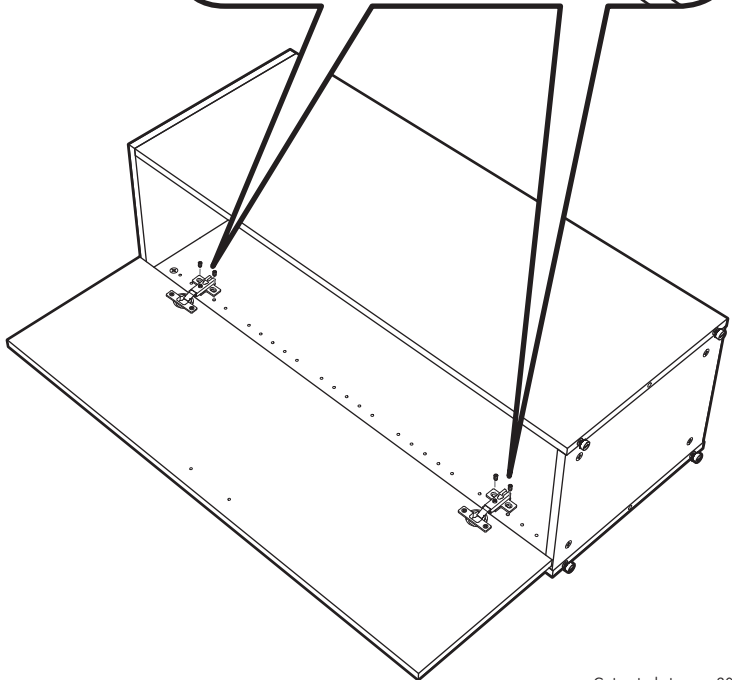
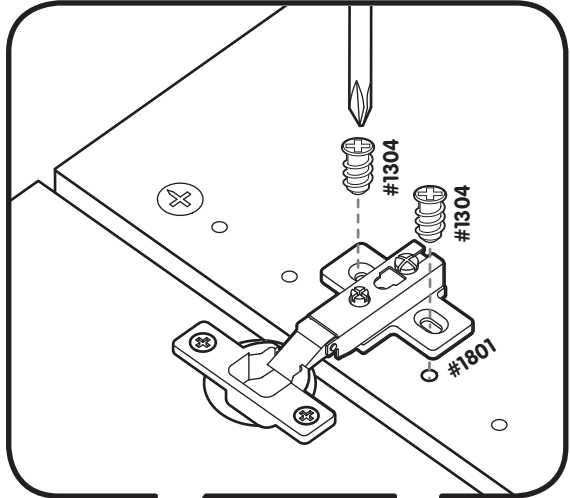
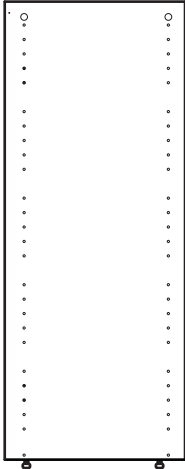


 **WARNING: CHOKING HAZARD** - Small Parts. Not for Children Under 3yrs

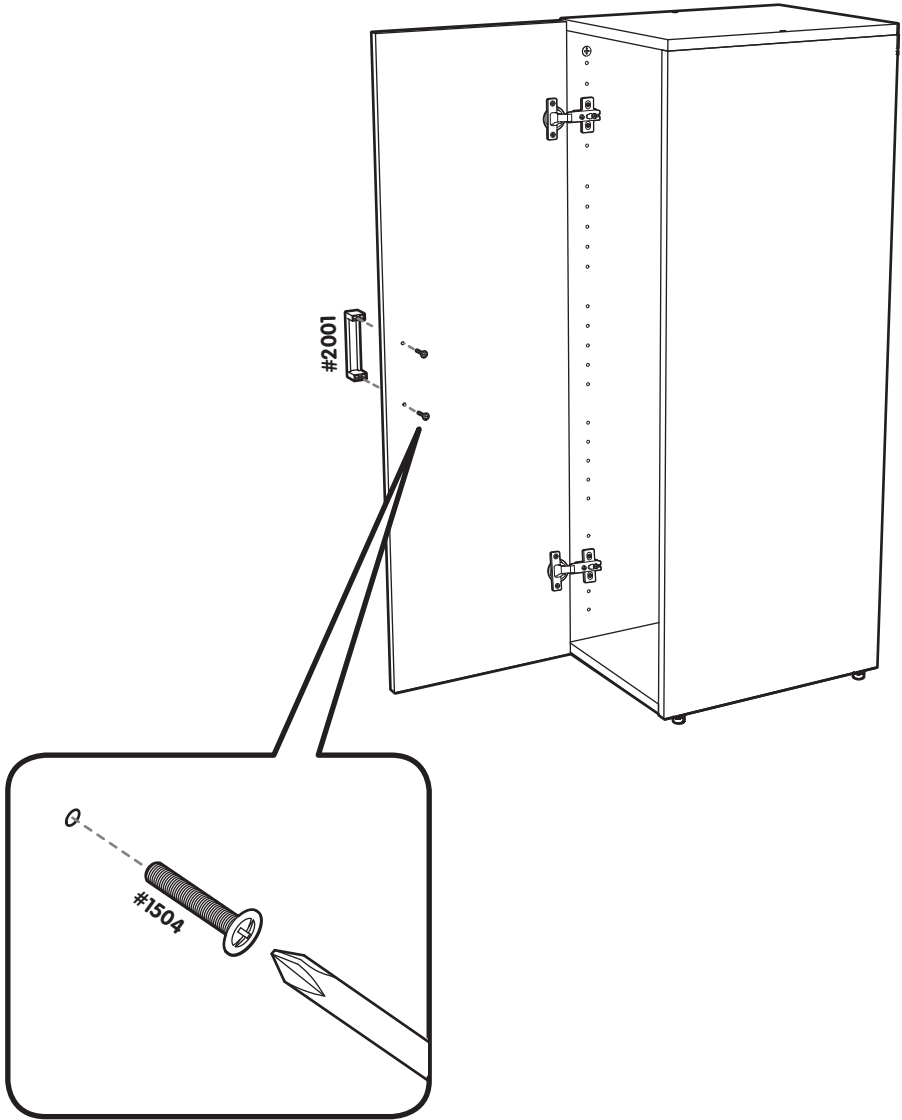
# 1.



# 2.

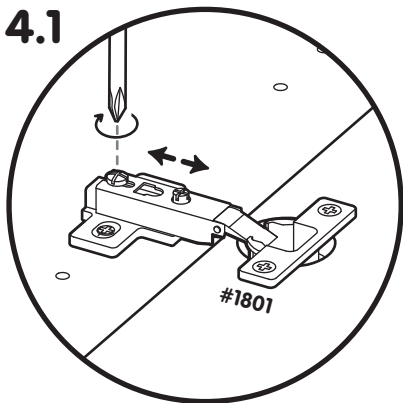


# 3.

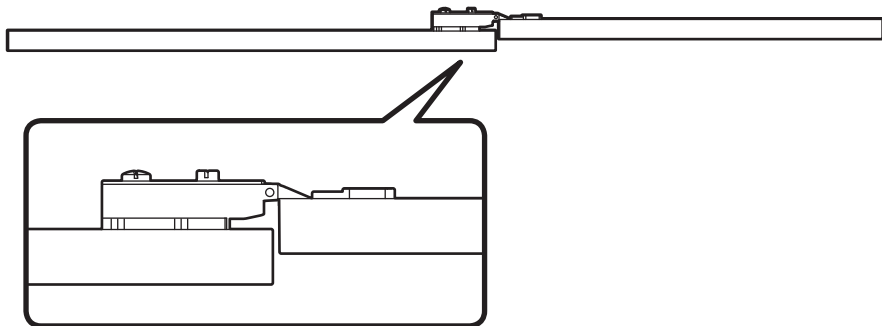
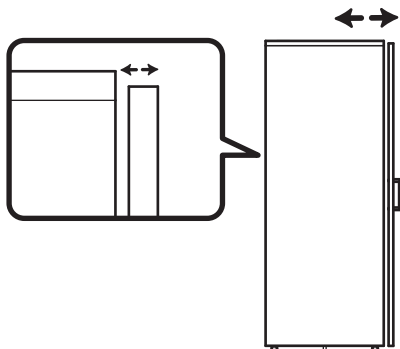
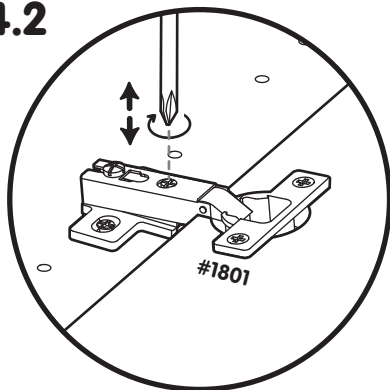


# 4.

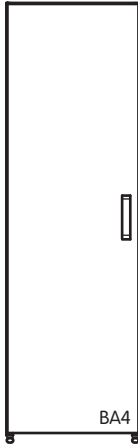
4.1



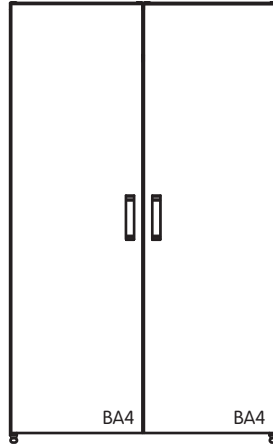
4.2



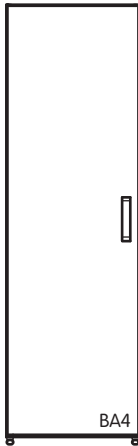
**BT1**



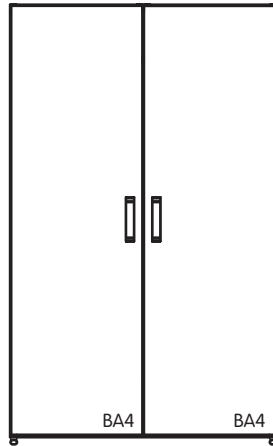
**BT2**



**BC10**



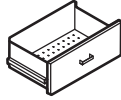
**BC11**



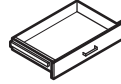
# + Base Accessories



**BA1-M/W**  
WOODEN DRAWER  
W: 300mm



**BA2-M/W**  
WOODEN DRAWER  
W: 600mm LRG



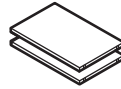
**BA3-M/W**  
WOODEN DRAWER  
W: 600mm SLIM



**BA4-M/W**  
WOODEN DOOR  
W: 300mm



**BA5-M/W**  
WOODEN SHELVES  
W: 300mm



**BA6-M/W**  
WOODEN SHELVES  
W:600mm



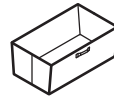
**BA7**  
WIRE BASKET  
W:300mm



**BA8**  
WIRE BASKET  
W:600mm



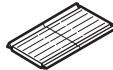
**BA9-B/G**  
FABRIC BASKET  
W:300mm



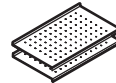
**BA10-B/G**  
FABRIC BASKET  
W:600mm



**BA11**  
ADJ HANGING ROD  
ADJ:625-1000mm



**BA12**  
ADJ HANGING SHELF  
ADJ:605-1000mm



**BA13**  
SHOE SHELVES  
W:600mm